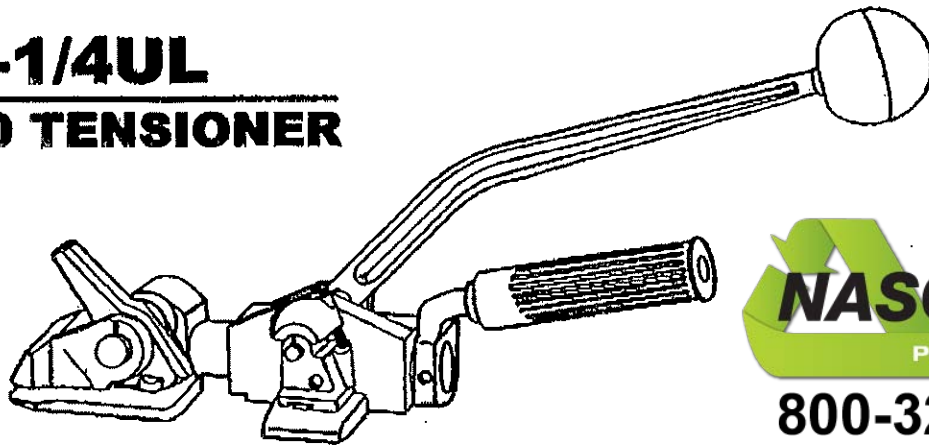


# RPT 1-1/4UL

## MODEL 35000 TENSIONER



**NASCO-OP™**  
Power of Numbers  
**800-321-3396**

PARTS LIST							
KEY NO.	PART NO.	PART NAME	QTY.	KEY NO.	PART NO.	PART NAME	QTY.
1	35001	ROLL PIN [ 3/16" X 1-1/4" ]	1	13	35013	FRONT BODY	1
2	35002	SET SCREW [ CUP POINT 5/16-24 X 3/8" ]	2	14	35014	FRONT GRIPPER BODY	1
3	35003	HANDLE GRIP	1	15	35015	REAR GRIPPER BODY	1
4	35004	ROLL PIN [ 5/32" X 1/2" ]	1	16	35016	FRONT GRIPPER SPRING	1
5	35005	REAR GRIPPER SPRING	1	17	35017	ROLL PIN [ 1/8" X 3/4" ]	1
6	35006	REAR BODY	1	18	35018	ROLL PIN [ 3/16" X 1-3/4" ]	1
7	35007	REAR HANDLE	1	19	35019	ROLL PIN [ 3/32" X 1/4" ]	2
8	35008	RACK	1	20	35020	GRIPPER INSERT	2
9	35009	TENSION HANDLE	1	21	35021	SLIDE PLATE	2
10	35010	REAR BODY PIN	1	22	35022	TOLERANCE RING	2
11	35011	FRONT BODY PIN	1	23	35023	GRIPPER RELEASE PIN	1
12	35012	NOSE PIECE	1	24	35024	BALL GRIP	1
				25	35025	NOSE PIECE SET SCREW [ CUP POINT NYLOK SET SCREW 5/16-24 X 3/8" ]	1

